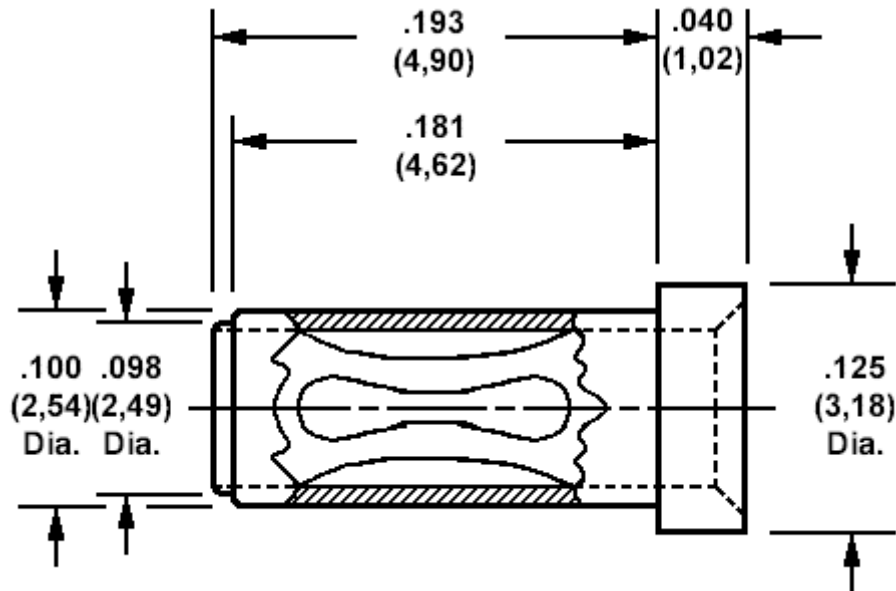


450-3760 Guided entry socket, solder mnt, through hole, for .040 (1,02) diameter pins

Recommended mounting hole .104 (2,64) ± .002 (0,05), #37 drill



Through Hole

How to order code
450-3760-01-XX-00
 Basic Part No XX = Finish

MATERIALS				
Component	Material	Finish(-03)	Finish(-04)	Finish(-06)
Body	Brass	Gold over Nickel	Tin	Tin
Spring	Beryllium copper	Gold over Nickel	Tin	Gold over Nickel